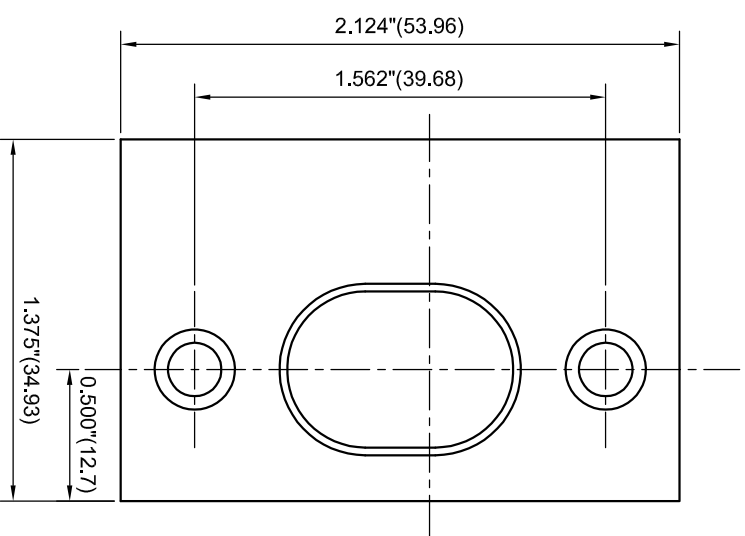
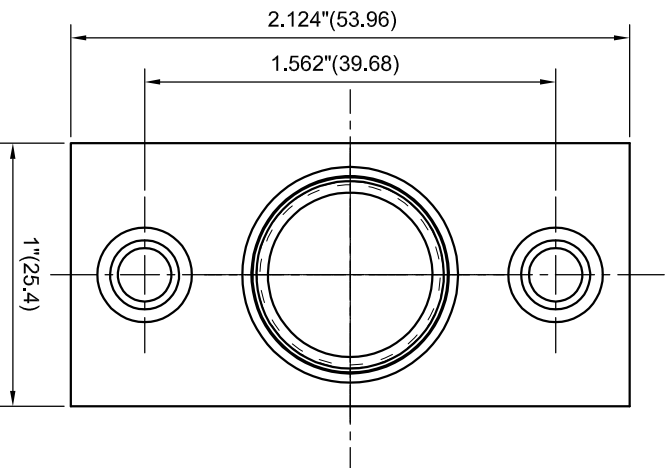
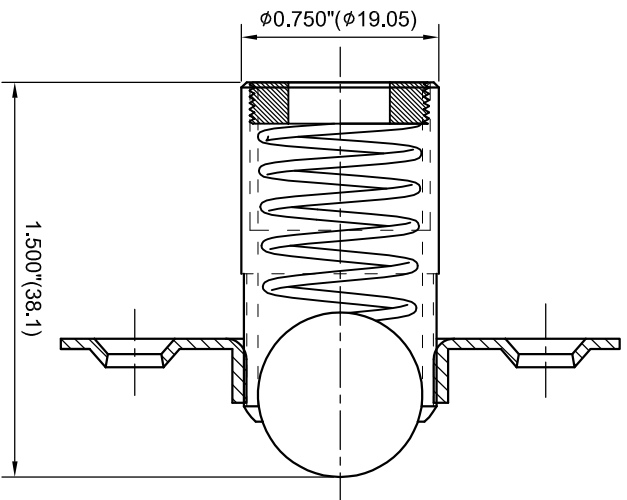



# INSTALLATION INSTRUCTION

## INSTRUCCIONES DE INSTALACION



Screw: 8#- $\frac{3}{4}$ " X4  
Metric Millimeters in Parenthesis

		BC2
		DWG# : BC2
MAT'L : BRASS		Rev. A
		DATE : 19/10/16