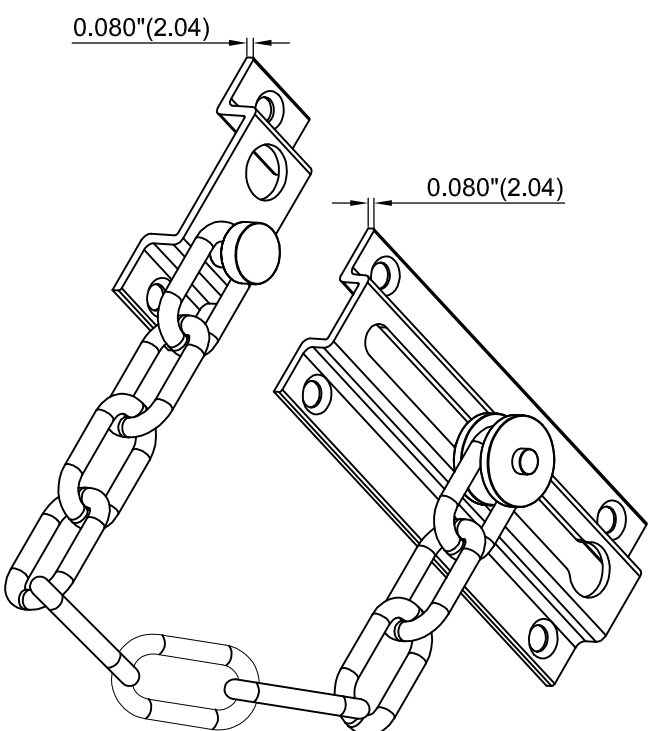
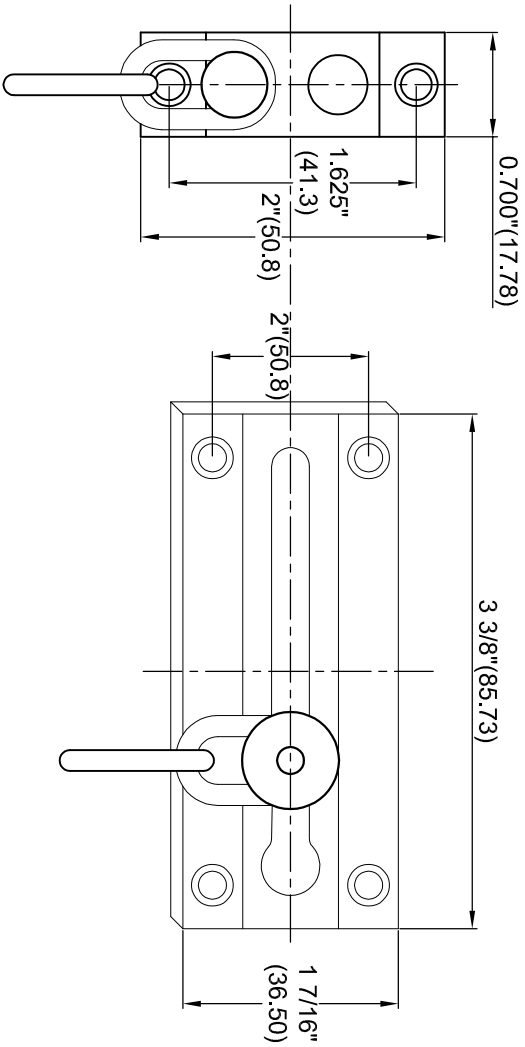


INSTALLATION INSTRUCTION

INSTRUCCIONES DE INSTALACION



Screw: O.H.6-3/4 X 6

Metric Millimeters in Parenthesis



DG1	Rev. A
DWG# : DG1	DATE : 19/10/16
MAT'L : BRASS	