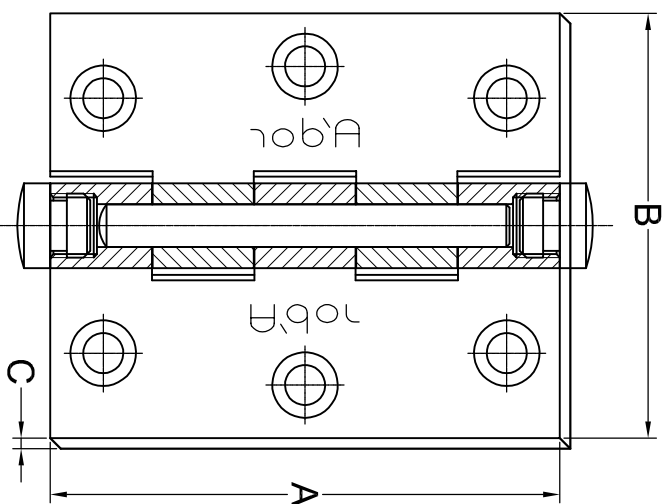


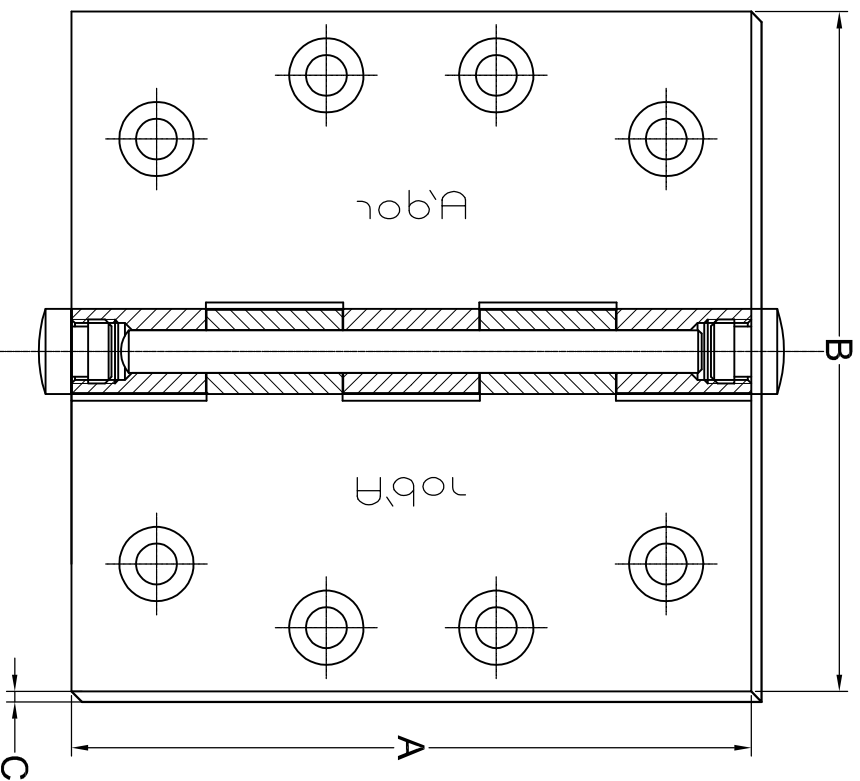
INSTALLATION INSTRUCTION

INSTRUCCIONES DE INSTALACION


HS1-HS2-HS3



HS4-HS5



	A	B	C
HS1	3"	2.5"	0.093"
HS2	3"	3"	0.093"
HS3	3.5"	3.5"	0.123"
HS4	4"	4"	0.134"
HS5	4.5"	4.5"	0.142"

		Rev. A	
ARCHITECTURAL HARDWARE		DATE : 09/24/2015	
DWG# : HS		MAT'L : BRASS	