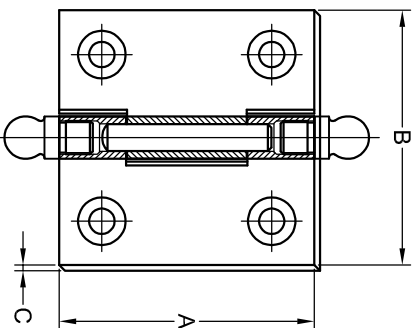


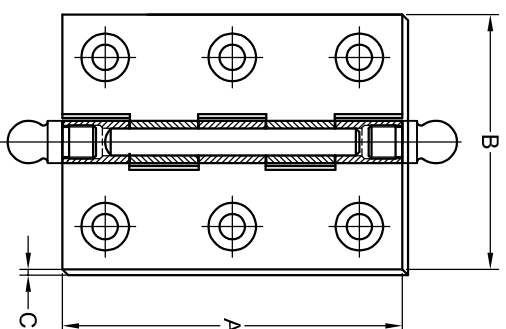
INSTALLATION INSTRUCTION

INSTRUCCIONES DE INSTALACION

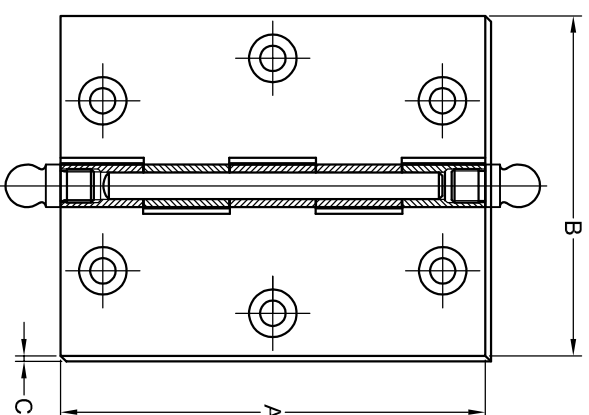
CS1



CS2-CS3-CS6



CS4-CS5-CS7



	A	B	C
CS1	1.5"	1.5"	0.093"
CS2	2.5"	1.5"	0.093"
CS3	2.5"	1.7"	0.093"
CS4	2.5"	2"	0.093"
CS5	2.5"	2.5"	0.093"
CS6	3"	2"	0.125"
CS7	3"	2.5"	0.093"



CS	
DWG# : CS	Rev. A
MAT'L : BRASS	DATE : 09/24/2015