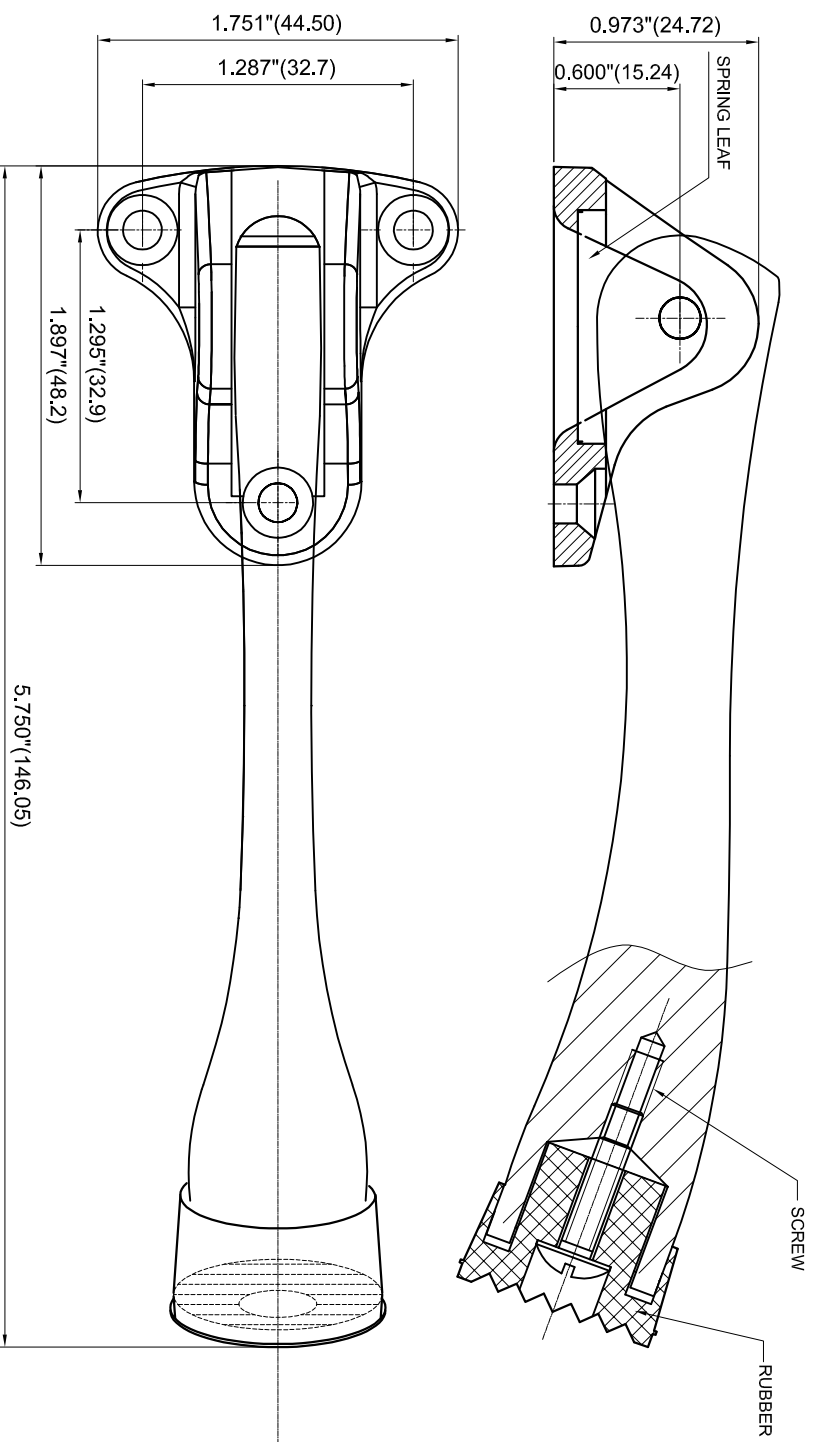



# INSTALLATION INSTRUCTION

## INSTRUCCIONES DE INSTALACION



Screw: 8#-3/4" X 3  
Metric Millimeters in Parenthesis

		DH2
		Rev. A
DWG# : DH2		
MAT'L : BRASS		
	DATE : 19/10/16	