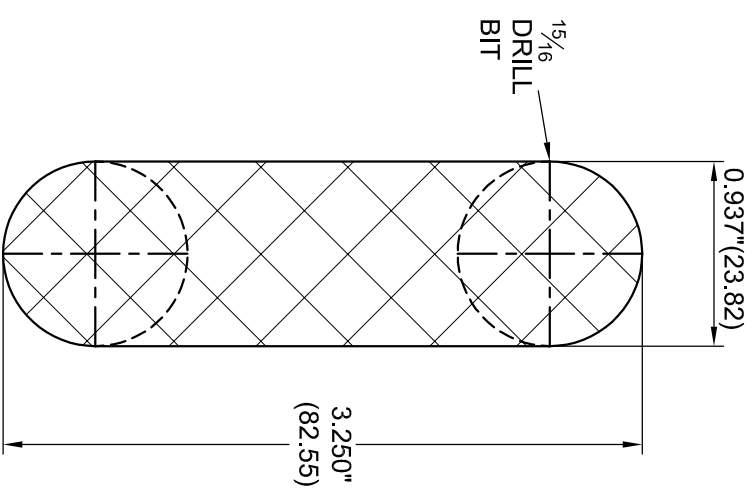
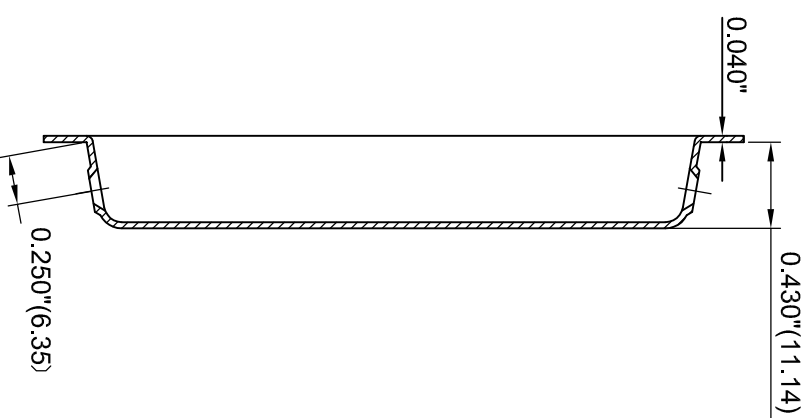
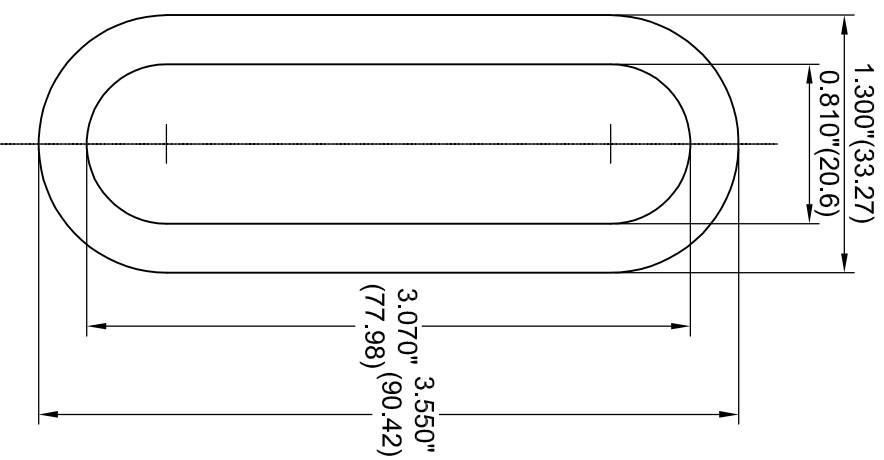


INSTALLATION INSTRUCTION

INSTRUCCIONES DE INSTALACION



DEPTH IN DOOR HOLE
DEPTH IN DOOR 0.500

USE A 15/16 DRILL BIT AND DRILL THROUGH .500 DEEP.
CLEAR ALL THE EXCESS MATERIAL BETWEEN HOLES.

Screw: 4#-24 X 2
Metric Millimeters in Parenthesis



FP3 FLUSH PULL

DWG# : FP3

Rev. A

MAT'L : BRASS

DATE : 5/10/12