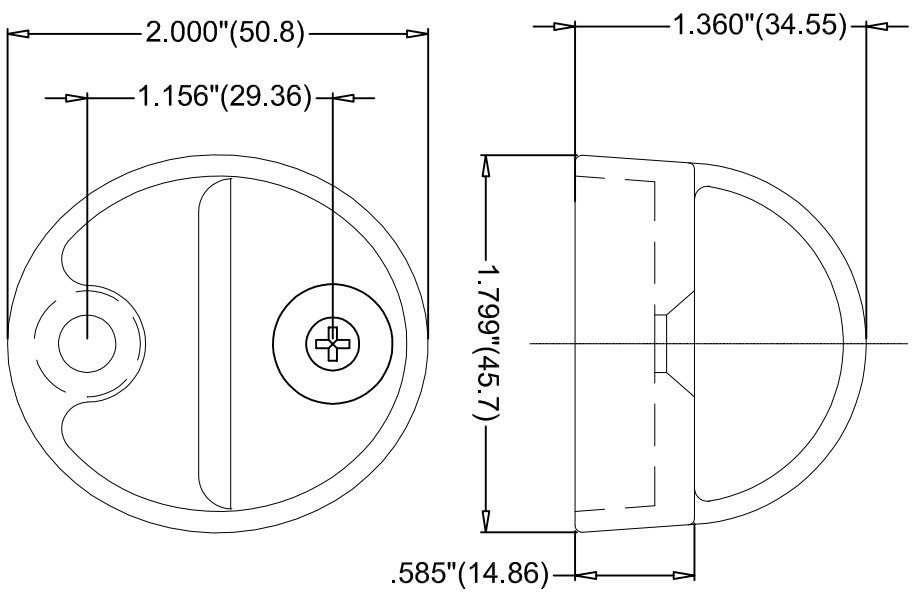
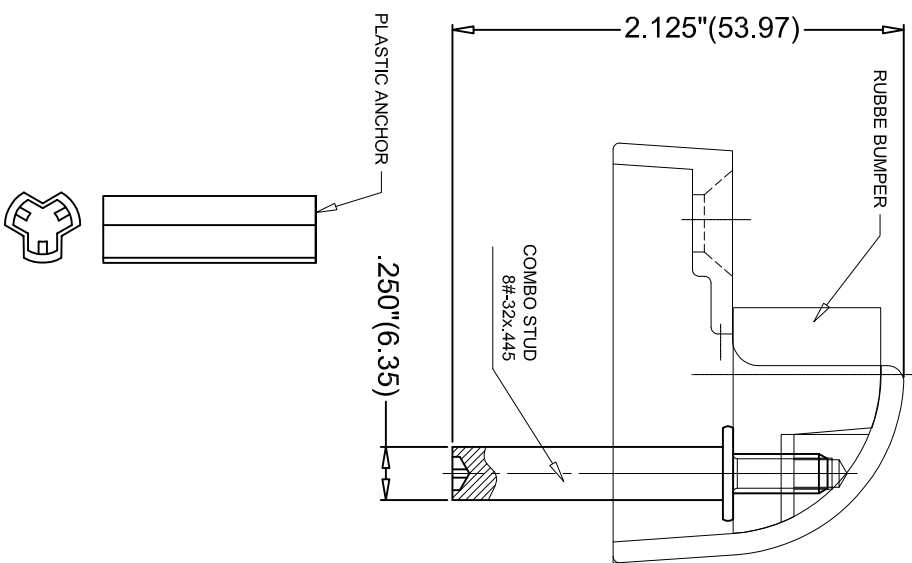


INSTALLATION INSTRUCTION

INSTRUCCIONES DE INSTALACION



Wood Screw: 14#-10X 1.780"



FS3	Rev. A
DWG#: FS3	
MAT'L : BRASS	DATE : 5/10/12